

LED CORN LIGHT

Datasheet Megaled Corn Bulbs

LED Replacement Lamps for
Metal Halide/High Pressure Sodium/
High Intensity Discharge/CFL



1. Introduction:

Material

Private mode 6063 Aluminum thermal structure; High quality aluminum processing technique; Special surface treatment process; Patented IP65 ingress protection design; High brightness Samsung 5630 2nd generation S3 series light source; Independent R&D driver.

Applications

Widely used in retrofitting HPS/MH/HID/CFL as street light, garden light, industrial light, solar light etc. Application locations are Warehouses, Production and logistics workshops, Retail stores, Theme restaurants, Amusement parks, Indoor stadiums and public places, and other industrial and commercial lighting purposes.

Fit for fixtures as floodlight, canopy light, highbay light, acorn, cobra head, shoebox, wallpack, post top etc.

Features

- IP65 ingress protection
- PC V0 grade material, anti-ultraviolet and high durability
- Samsung 5630 2nd generation S3 series LED chip; (Epistar 5730 optional), LM80 report
- Independent developed driver
- Rubycon capacitor
- Dow corning thermal silicone
- Dow corning RTV-T
- imported electronic elements
- UL/cUL, TÜV Rheinland, GS certificates
- 5 years warranty

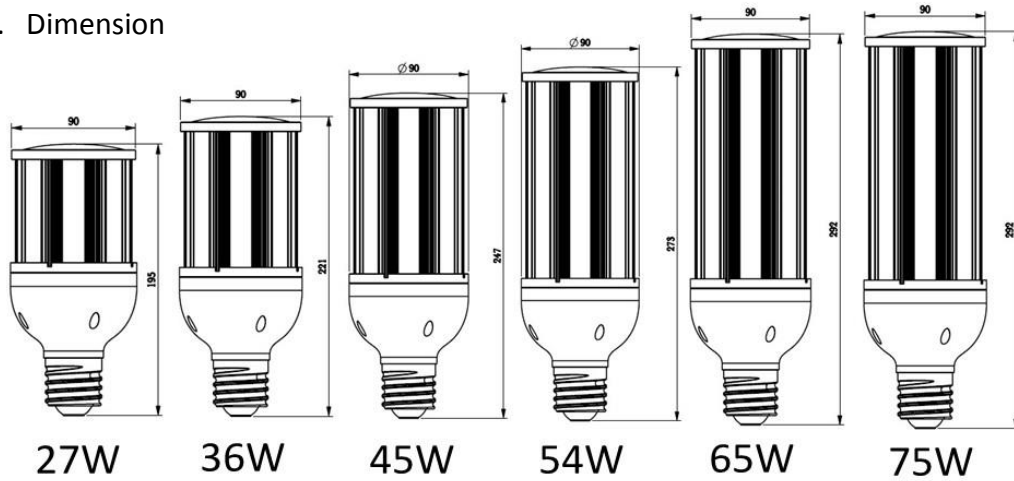
Qualification and Partners:

2. Specification

	27W-ID	36W-ID	45W-ID	54W-ID	65W-ID	75W-ID
Input Voltage	100-300VAC 50-60Hz					
LED light source	Samsung, Epistar					
LED Qty	90pcs	120pcs	150pcs	180pcs	216pcs	252pcs
Rated Power	27W	36W	45W	54W	65W	75W
Luminous Flux	2970lm± 10%	3960lm± 10%	4950lm± 10%	5940lm± 10%	7150lm± 10%	8250lm± 10%
Color Temperature	2700-6500K					
CRI	Ra>80					
Power Factor	>0.9					
Working Temperature	-30°C ~ 55°C					
Storage Temperature	-40°C ~ 85°C					
Beam Angle	360°					
IP Rating	IP65					
Lifespan	50,000hrs					
Certificates and qualifications						
Net weight	550g	656g	726g	806g	872g	900g
Base type	E26, E27, E39, E40					
Lamp Head Color	White or gray, customized color					

3. Dimension & Photometry:

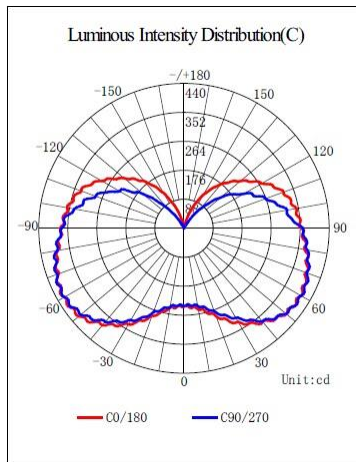
A. Dimension



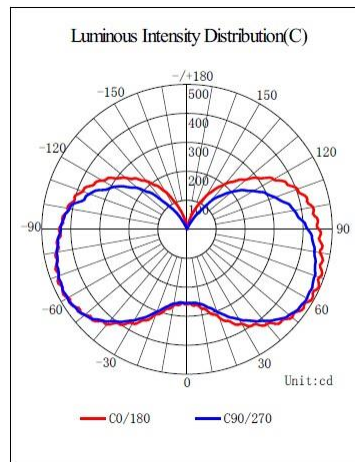
Unit: mm

	-27W-ID	36W-ID	45W-ID	-54W-ID	65W-ID	75W-ID
Dimension	Φ90*195	Φ90*221	Φ90*247	Φ90*273	Φ90*292	Φ90*292

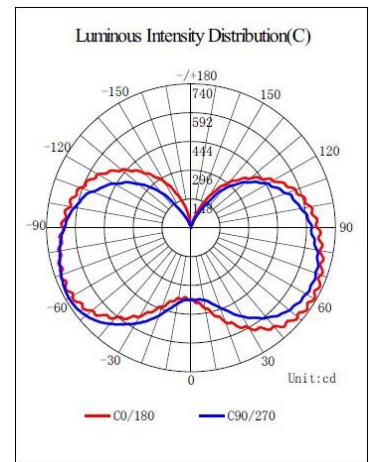
B. Photometry:



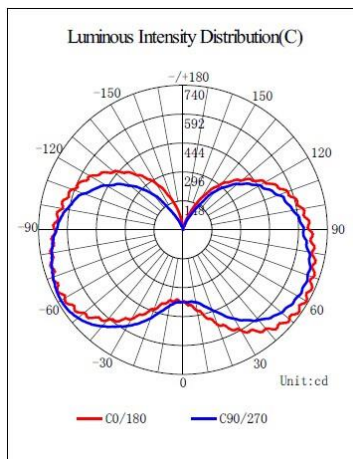
27W



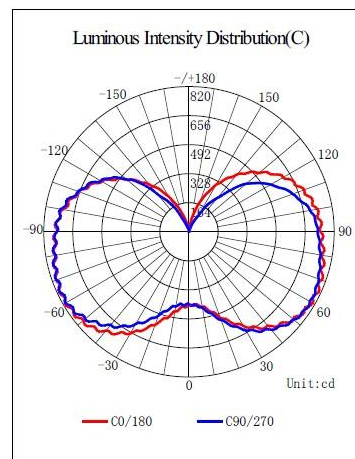
36W



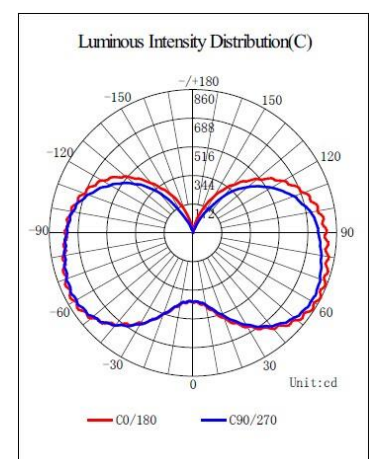
45W



54W



65W

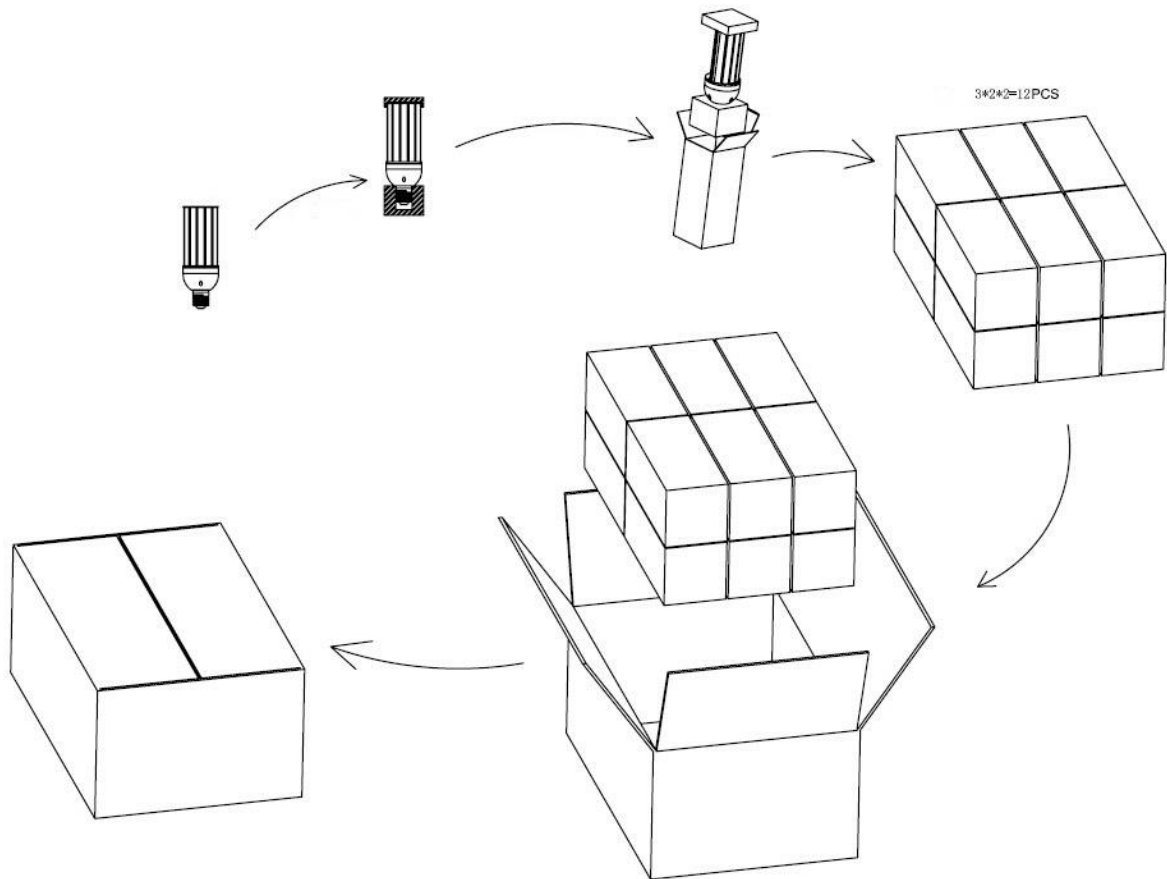


75W

4. Package

Packing information: Unit: mm

	27W-ID	-36W-ID	45W-ID	54W-ID	65W-ID	75W-ID
Inner box size	108*108*234	108*108*260	108*108*286	108*108*312	108*108*332	108*108*332
G.W	689g	776g	838g	923g	998g	1080g
Carton size	440*332*255	440*332*285	440*332*315	440*332*330	440*332*350	440*332*350
G.W	9.5kg	10.4kg	11.2kg	12.3kg	13.3kg	14.2kg
Packing Qty.	12pcs/carton					



Email megalednz@gmail.com

www.megaled.co.nz

tel 09 392 0090